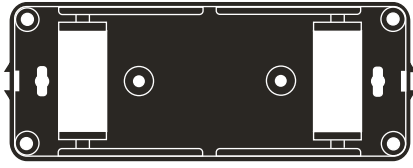


FLEXIPLATE PLATFORM MAGNETIC ACCESSORY KIT

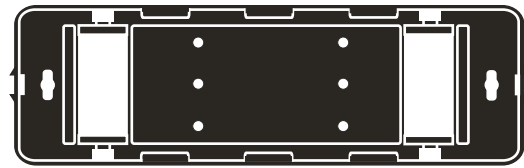
CODE 06 0390 (0395/03400)

1

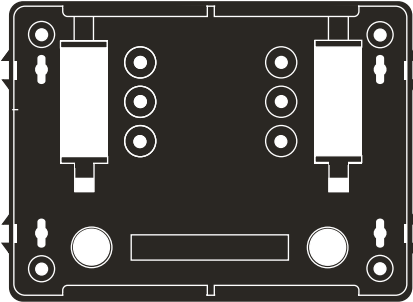


FLEXIPLATE SIZE 2 PLATFORM

2



FLEXIPLATE SIZE 12 PLATFORM

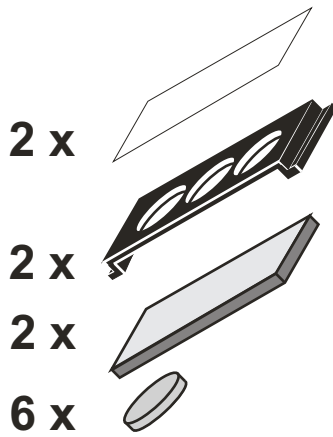


FLEXIPLATE SIZE 4 PLATFORM

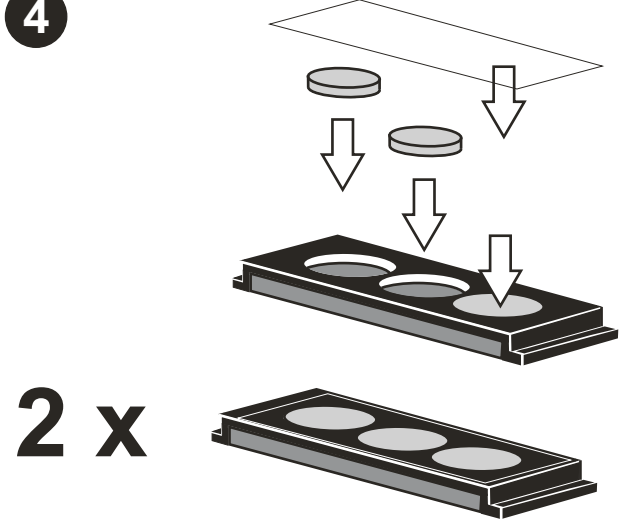
CAUTION!
VERY POWERFUL
MAGNETS

VIP-SYSTEM LIMITED
11 South Avenue, The Business Park
Clydebank, West Dunbartonshire, Scotland, G81 2NR

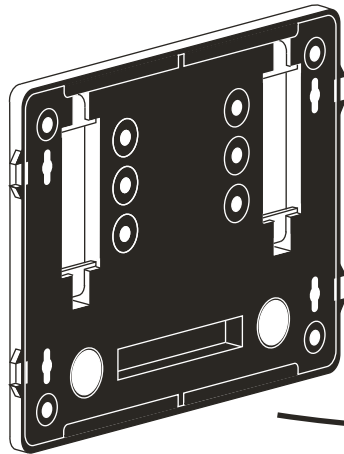
3



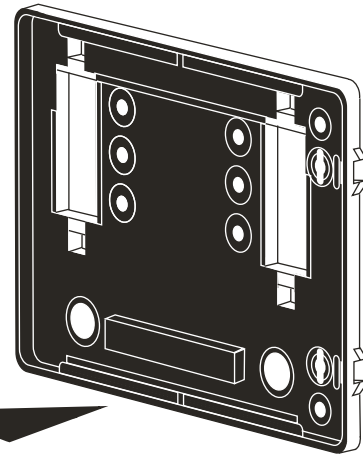
4



5



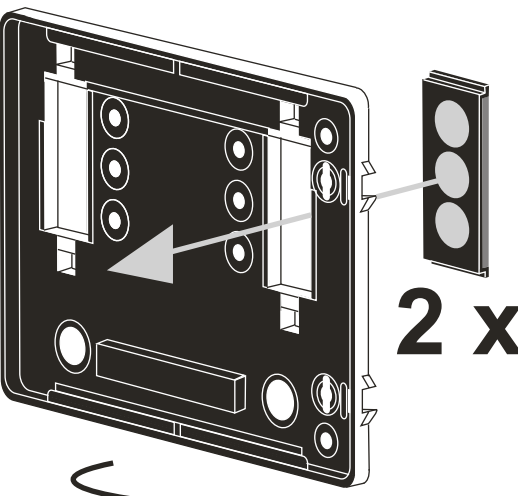
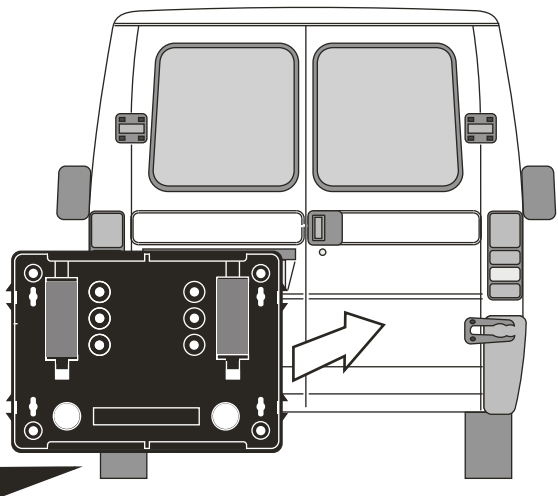
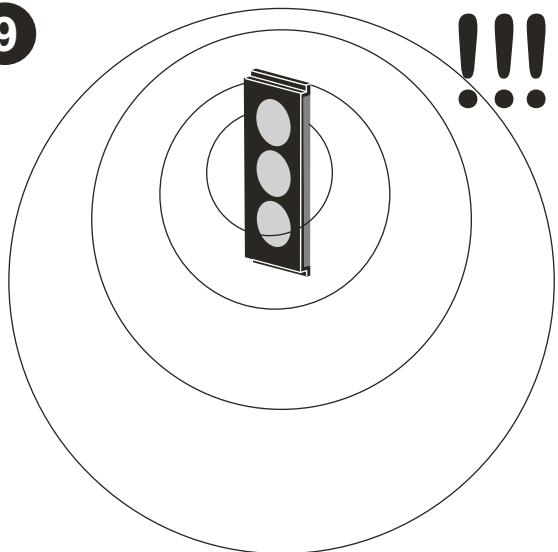
6



Rev: 20/11/09

FLEXIPLATE PLATFORM MAGNETIC ACCESSORY KIT

CODE 06 0390 (0395/03400)

<p>7</p>  <p>2 x</p>	<p>8</p> 
<p>9 !!!</p> 	<p>10 !!!</p> <p>PLEASE ENSURE THAT THEY ARE NOT PLACED NEAR ANY ELECTRONIC EQUIPMENT INCLUDING TV SCREENS AND PC MONITORS.</p> <p>IN ADDITION, KEEP WELL AWAY FROM BANK 'SWIPE' CARDS, RAIL AND BUS TICKETS AND ID PASSES OF ANY DESCRIPTION.</p>
<p>11 !!!</p> <p>YOU ARE RECOMMENDED NOT TO REMOVE THE MAGNETS FROM THE HOLDER IN WHICH THEY ARE LOADED.</p> <p>THEY ARE NOT MADE OF METAL AND CAN SHATTER IF NOT HANDLED BY STAFF FAMILIAR WITH THEIR POWER.</p>	<p>12 !!!</p> <p>YOU ARE RECOMMENDED NOT TO ALLOW CHILDREN TO PLAY WITH THEM.</p>