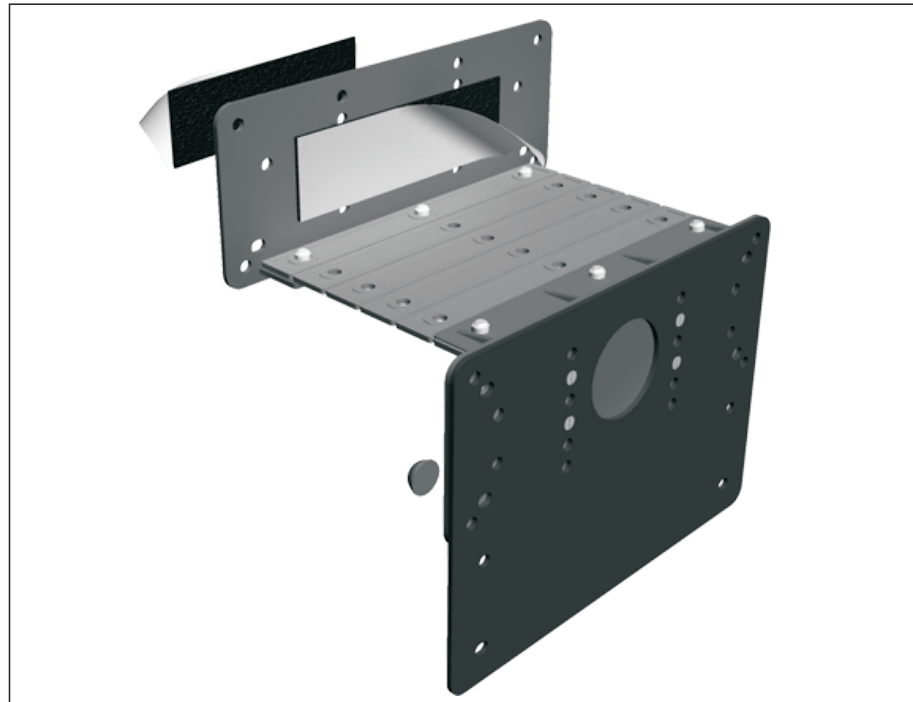
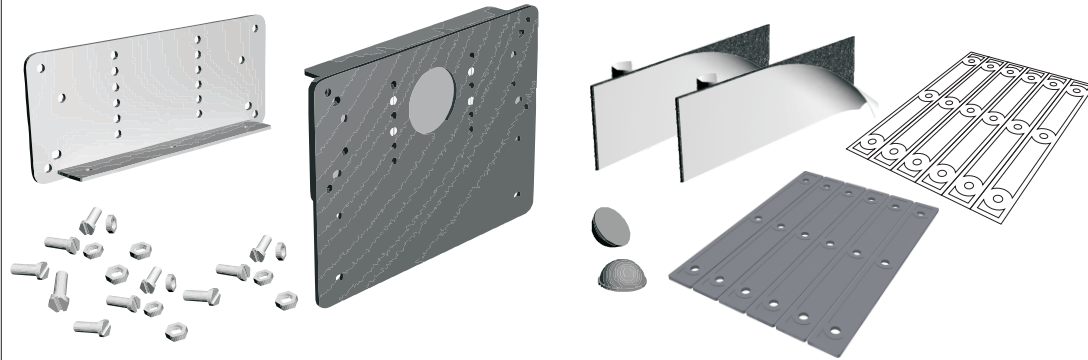


PLATE PLATFORMS and FIXING ACCESSORY OPTIONS

VIP CODE NUMBER: 06 0004

STEPPED BRACKET WITH SIZE 4H EXTENSION - KIT PLUS

KIT PLUS**AVAILABLE TO TRADE VIA WEBSITE SHOP****KIT CONTENTS**

- 1 of 10 1060 ANGLE BRACKET, 25mm STEP
- 1 of 10 1170 ANGLE BRACKET, 25mm STEP, EXTENSION, FLAT, SIZE 4, SUB ASSEMBLY
- 2 of 10 2600 SELF-ADHESIVE, DOUBLE-SIDED, HIGH-BOND PADS, 1.2 x 65 x 145mm
- 1 of 10 9998 BRIDGE TEST CARD
- 1 of 10 0130 BRACKET EXTENSION, BRIDGE, RIGID
- 2 of 10 2000 SELF-ADHESIVE STAND OFF BUMPERS
- 10 of 10 7029 NYLON MACHINE SCREWS, CHEESE HEAD, M6 x 15mm
- 10 of 10 7045 NYLON HEX NUTS , M6

NOTE

The Bridge can be reduced in width to suit different vehicle body shapes. Use the Test Card to judge the appropriate interval before cutting the Bridge part itself. Each strip in the Bridge is 25mm (1") wide. This illustration left shows it being divided into two 75mm portions. The illustration left shows it fully deployed.

