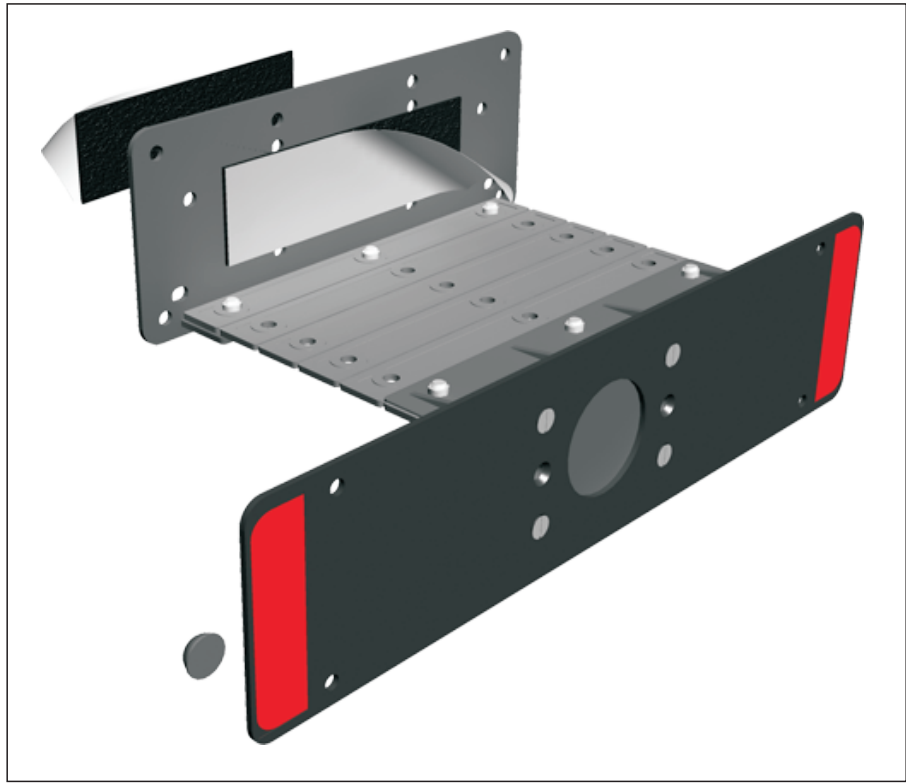
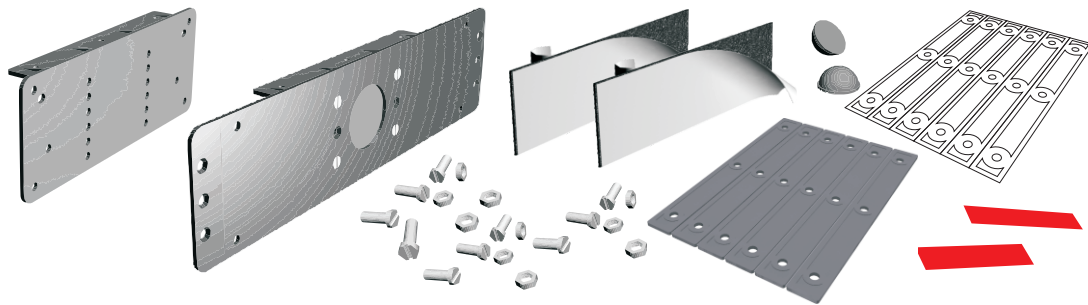


PLATE PLATFORMS and FIXING ACCESSORY OPTIONS

VIP CODE NUMBER: 06 0007

**KIT PLUS**

STEPPED BRACKET WITH SIZE 12H EXTENSION - KIT PLUS



**AVAILABLE TO TRADE VIA WEBSITE SHOP**

**KIT CONTENTS**

- 1 of 10 1060 ANGLE BRACKET, 25mm STEP
- 1 of 10 1175 ANGLE BRACKET PLATFORM EXTENSION, SIZE 12, SUB ASSEMBLY
- 2 of 10 2600 SELF-ADHESIVE, DOUBLE-SIDED, HIGH-BOND PADS, 1.2 x 65 x 145mm
- 1 of 10 9998 BRIDGE TEST CARD
- 1 of 10 0130 BRACKET EXTENSION, BRIDGE, RIGID
- 2 of 10 1100 SELF-ADHESIVE RED REFLECTOR STRIPS, 20 x 95mm
- 2 of 10 2000 SELF-ADHESIVE STAND-OFF RUBBER BUMPERS
- 10 of 10 7029 NYLON MACHINE SCREWS, CHEESE HEAD, M6 x 15mm
- 10 of 10 7045 NYLON HEX NUTS, M6

**NOTE**

The Bridge can be reduced in width to suit different vehicle body shapes. Use the Test Card to judge the appropriate interval before cutting the Bridge part itself. Each strip in the Bridge is 25mm (1") wide. This illustrates it being divided into two 75mm portions. The illustration left shows it fully deployed.

